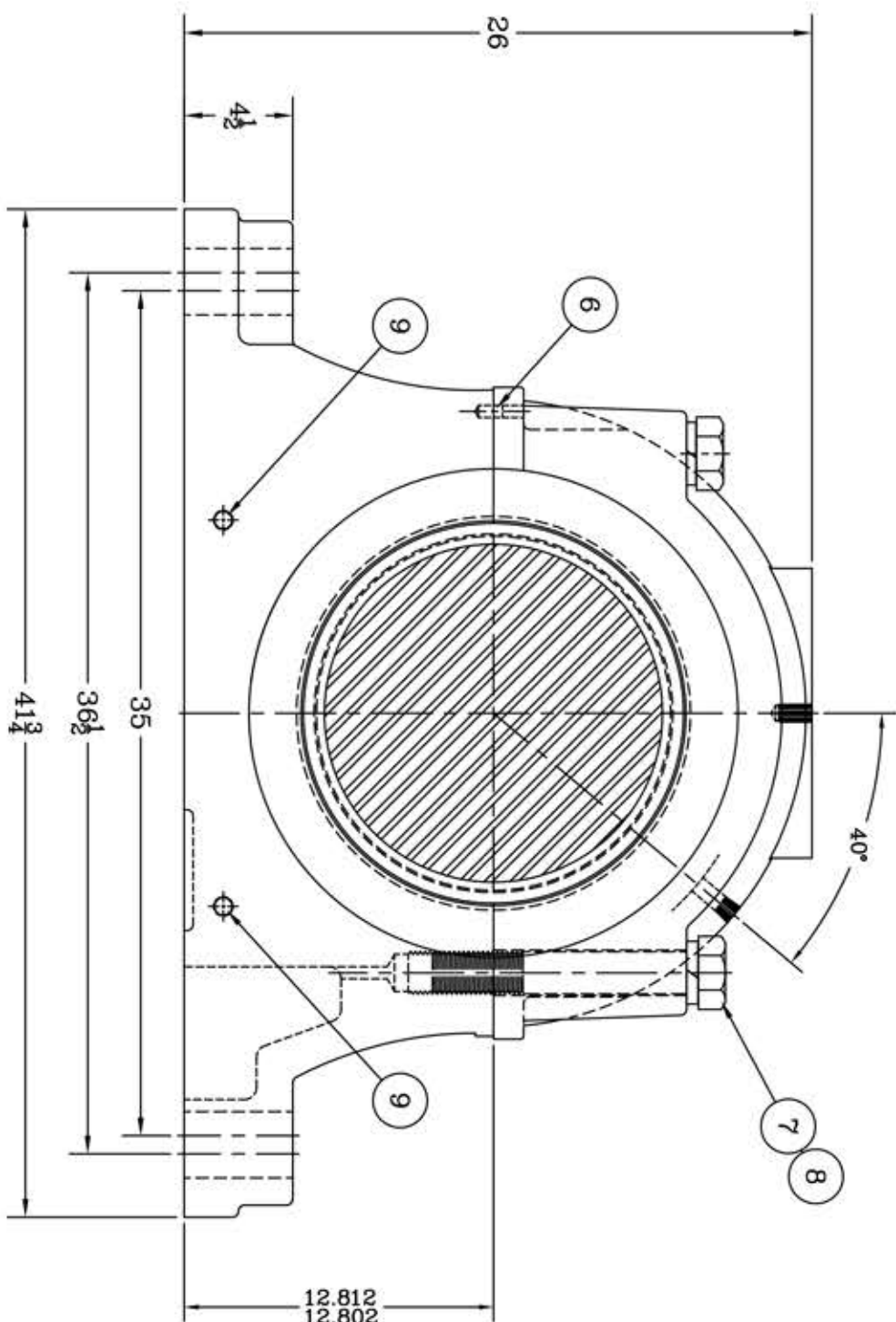
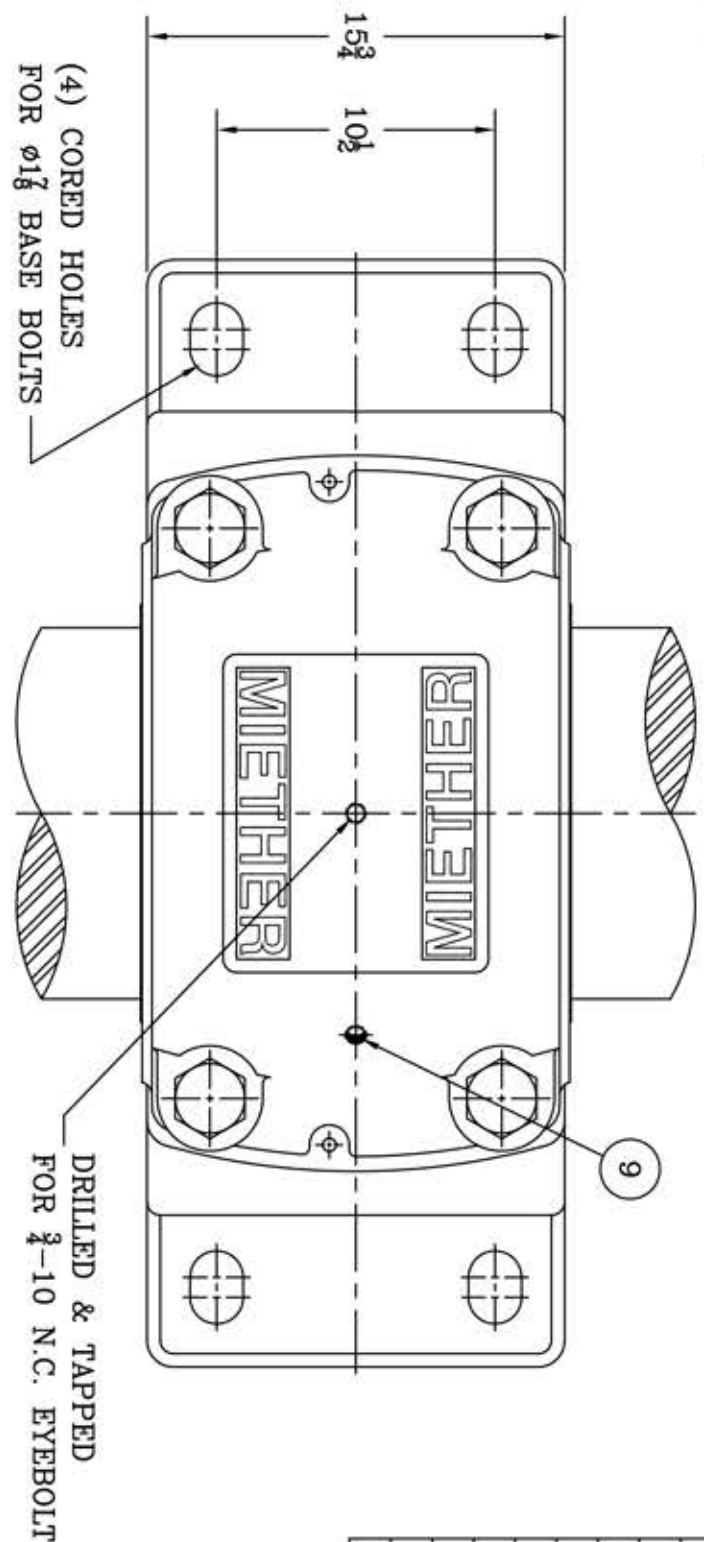
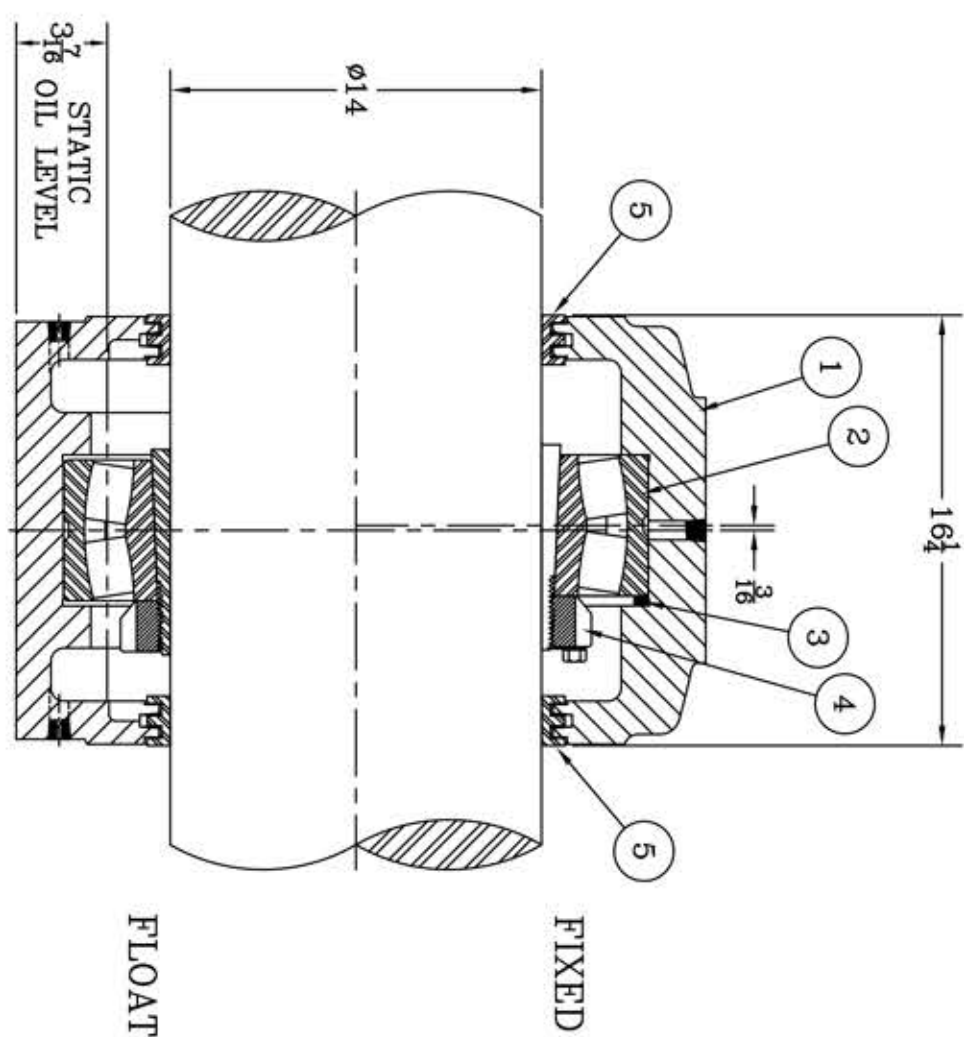


This drawing is the sole property of Miether Bearing Products and contains confidential and proprietary information. It is being provided to you for your use and may not be disclosed to any third party or used for any other purpose without Miether's prior written consent. The [materials] must be returned to the Company upon its demand. Your acceptance of these materials constitutes your acceptance of the foregoing terms.

C-35224



ITEM	DESCRIPTION	DETAIL	REQUIRED
1	HOUSING SDAFD 076K 14-00	C-	1 1
2	SPHERICAL ROLLER BEARING	23076K/33	1 1
3	STABILIZING RING	A-10921	1 0
4	ADAPTER SNP 3076 14-00	01326	1 1
5	TRIPLE SEAL RING	ER-876	2 2
6	DOWEL	A-10760	2 2
7	CAP BOLT HEX. HEAD GR.5	$\phi \frac{1}{2}$ x 1" LONG	4 4
8	LOCKWASHER	$1 \frac{1}{2}$ -5 NC x 11" LONG	4 4
9	PIPE PLUG	$1 \frac{1}{2}$ SPLIT MED.	4 4
		$\frac{1}{2}$ -14 NPT	5 5



REVISIONS

SYMBOL	DESCRIPTION
C	...
D	...
E	...
F	...
G	...
J	...
K	...

TOLERANCE: UNLESS OTHERWISE SPECIFIED

FRACTIONS  $\pm 1/32$ " ANGLES  $\pm 0^\circ 30'$

DECIMALS  $\pm .005$  WELD  $\pm 1/16$ "

CASTING  $\pm 1/16$ "

A.I.S.I. STANDARD FINISHES

AN ALCO INDUSTRIES COMPANY  
BEARING PRODUCTS  
ODESSA, TX. USA

SDAFD 23076 K 14-00

ASSEMBLY DRAWING

SCALE 1 = 5

DRAWN PCF

DATE 1/2/13

ASSEMBLY NO.

DRAWING NO. C-35224

CHK: